



Battery Fuse 100A 125A 200A Automotive Ceramic Square Yacht Ship Automotive Ceramic Battery Fuse

Our Product Introduction

for more products please visit us on lk-thermistor.com

Basic Information

- Place of Origin: China
- Brand Name: LINKUN
- Certification: RoHS
- Model Number: TRCF
- Minimum Order Quantity: 1000 pieces
- Price: Negotiation
- Packaging Details: PE bag, Bulk
- Delivery Time: 5-7 days
- Payment Terms: D/P, Western Union
- Supply Ability: 100,000 pieces/month



Product Specification

- Product Name: Ceramic Battery Terminal Fuse
- Rated Current: 30A-500A
- Rated Voltage: 58V DC
- Base: Thermoplastic
- Housing: Plastic
- Insulated Material: Ceramic
- Stud: Stainless Steel
- Screw: Steel, Zinc Plated
- Melting Element: Copper Alloy
- Application: Automotive, Marine, RV, Yacht, Etc
- High Light: Battery Fuse Battery Fuse 100A 125A 200A Automotive Ceramic Square Fuse Yacht Ship Automotive Ceramic Battery Fuse



More Images



Product Description

Battery Fuse Battery Fuse 100A 125A 200A Automotive Ceramic Square Fuse Yacht Ship Automotive Ceramic Battery Fuse

Product Description:

30A to 500A 58V DC RV Yacht Marine Automotive Ceramic Battery Terminal Fuse

Specification of 30A to 500A 58V DC RV Yacht Marine Automotive Ceramic Battery Terminal Fuse

Product Name: Battery Terminal Fuse
 Rated Current: 30A-500A
 Rated Voltage: 58V DC
 Base: Thermoplastic PPS UL94-V0, Color: Black
 Screw: Steel (Zinc Plated) ,Self-locking
 Stud: Stainless Steel
 Insulated Material: Ceramic
 Cover: Plastic; Color: Red
 Housing: Plastic; Color: Transparent
 Melting Element: Copper Alloy (Nickel Plated); Color: Silver
 Breaking Capacity 2000A,58VDC
 Maximum Torque: 12N. m(122 4Kgf-cm)

Rated Current	30A 40A 50A 60A 70A 80A 100A 120A 150A 200A 300A 400A 500A
Rated Voltage	58V DC



DataSheet
Download

Features of 30A to 500A 58V DC RV Yacht Marine Automotive Ceramic Battery Terminal Fuse

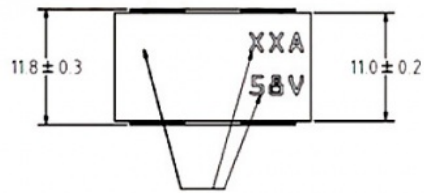
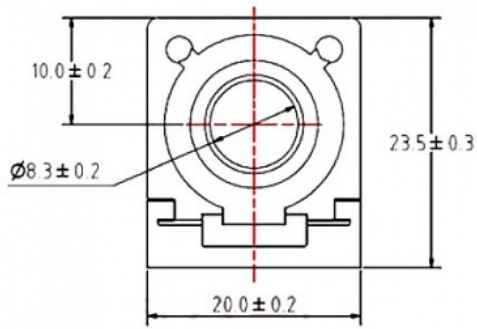
The material of base is thermoplastic PPS, which is resistant to temperature and abrasion. The stainless steel material of the stud and screw has good electrical conductivity and strong oxidation resistance. The ceramic material of the fuse is resistant to high temperature, and the copper nickel-plated melting element is resistant to oxidation, and has good electrical and thermal conductivity.

The insulating cover can prevent accidental short circuits, dustproof, and reduce the impact of the environment on product performance. The fuse provides high current protection under the narrow space limitation, and can achieve ignition protection when the fuse and the holder are used together.

The melting condition can be observed through the visible window, and each amperage will be clearly printed on the fuse.

Application of 30A to 500A 58V DC RV Yacht Marine Automotive Ceramic Battery Terminal Fuse

This battery fuse and fuse holder are widely used in the circuit protection of new energy vehicles, RVs, cruise ships, cranes, batteries, charging piles and other DC main power supplies, inverters, windlasses and bow thrusters.
 Car Fuse - Your Reliable Automotive Protection

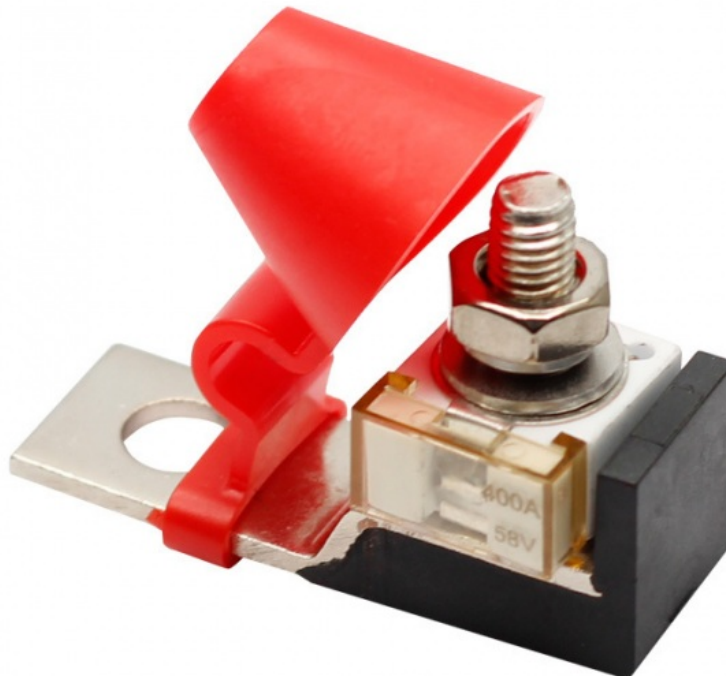


LASER MARKING ON THIS SURFACE

Specifications	
Amperage	30A-300A
Ignition Protected	Yes
Maximum Voltage	58V DC
Interrupt Capacity	10000A @ 14V DC 5000A @ 32V DC 2000A @ 58V DC
Weight	0.061b (0.03 kg)

STANDARD M8 HARDWARE

Compatible with MRBF Terminal Fuse Block



FUSE LINK AND FUSE BASE



AUTO FUSE



AUTO FUSE



Terminal Type: Blade

Break Speed: Fast

Body: PC/PA

Rated Current: 20A-120A

Shape: Blade Type

Introducing the Car Fuse - a high-quality automotive fuse designed to provide reliable protection for your vehicle's electrical system. With its fast break speed and durable PC/PA body, this fuse is the perfect choice for all your automotive needs.

Our Car Fuse features a blade type terminal, making it easy to install and replace. The fast break speed ensures that in case of a sudden surge in current, the fuse will quickly cut off the circuit, preventing any damage to your vehicle's electrical components.

With a rated current range of 20A-120A, our Car Fuse is suitable for a wide range of vehicles, from compact cars to large trucks. Its blade type shape makes it compatible with most automotive fuse boxes, allowing for a hassle-free installation process.

But what sets our Car Fuse apart from others in the market is its RED LED indicator. This feature makes it easier to identify a blown fuse, saving you time and effort. Additionally, our Car Fuse is SAE J1284 compliant, ensuring its quality and performance meet industry standards.

The Car Fuse is available in a variety of sizes, including mini, middle, medium, and standard, to suit different types of vehicles. We offer a range of amp ratings, from 2A to 30A, to cater to your specific needs. Our low profile design makes it perfect for tight spaces, while the long leg design ensures a secure fit.

Constructed with a nylon PA66 housing, our Car Fuse is durable and able to withstand high temperatures and harsh environments. This makes it a reliable choice for all weather conditions and driving situations.

Choose the Car Fuse for your vehicle and experience the peace of mind that comes with reliable automotive protection. Upgrade to our ATA Car Micro 2 Blade Fuse today and never worry about blown fuses again.

Features:

Product Name: Car Fuse

Size: 29.3x34.1x8.8mm

Body: PC/PA

Usage: Automotive

Rated Voltage: 32V DC

Standards: According To SAE J1888

150A Automotive Micro Fuses

Blade Mounting 1A-40A

58V DC ATT Auto Blade Fuse

40A Automotive Fuse

Car Low Profile Blade Fuse

5A-30A ATA Car Micro 2 Blade Fuse

Nylon PA66 Housing

Long Leg

Technical Parameters:

Attribute	Value
Usage	Automotive
Metal	Zinc Alloy
Body	PC/PA
Rated Current	20A-120A
Standards	SAE J1888
Terminal Type	Blade
Breaking Capacity	Low
Break Speed	Fast
Rated Voltage	32V DC
Voltage Rating	32 Volts
Keyword	Description
150A Automotive Micro Fuses	Fuses designed for automotive use with a maximum current rating of 150A
32V Automotive Micro Fuses	Fuses designed for automotive use with a maximum voltage rating of 32V DC
5A-30A ATA Car Micro 2 Blade Fuse Nylon PA66 Housing Long Leg	Fuses designed for use in ATA cars with a current rating range of 5A-30A, made with a nylon PA66 housing and long leg blade terminals

Applications:

LINKUN SBFC-CT Car Fuse

The LINKUN SBFC-CT Car Fuse is a highly reliable and efficient automotive fuse designed to meet the needs of various vehicles. With a brand name of LINKUN, this fuse is manufactured in China and is widely used in the automotive industry.

Application

The LINKUN SBFC-CT Car Fuse is suitable for use in various types of vehicles, including cars, trucks, and motorcycles. It is specifically designed for use in automotive electrical systems and can be used in both new and old vehicles.

Features

Brand Name: LINKUN
Model Number: SBFC-CT
Place of Origin: China
Usage: Automotive
Breaking Capacity: Low
Standards: According to SAE J1888
Metal: Zinc Alloy
Size: 29.3x34.1x8.8mm
Blade Mounting

The LINKUN SBFC-CT Car Fuse features a blade mounting design, making it easy to install and replace. It can handle a wide range of amperages, from 1A to 40A, and has a maximum voltage rating of 58V DC.

Low Profile Design

The Car Fuse has a low profile design, which means it takes up minimal space in the vehicle's electrical system. This makes it ideal for use in compact cars and other vehicles with limited space.

LED Indicator

The red LED indicator on the fuse serves as a visual warning when the fuse has blown, making it easier to identify and replace a faulty fuse.

SAE J1284 Standards

The LINKUN SBFC-CT Car Fuse meets the SAE J1284 standards, ensuring its quality and reliability. This means that it has been tested and certified to meet the highest standards of the automotive industry.

Mini Automotive Fuses

This fuse is available in a variety of amperages, ranging from 2A to 30A, making it suitable for a wide range of automotive applications. It is also available in 5A-15A micro fuses, with a plug-in design and three terminal tiny blade legs.

Conclusion

The LINKUN SBFC-CT Car Fuse is a must-have for any vehicle owner. Its high-quality construction, low profile design, and wide range of amperages make it a versatile and reliable choice for all your automotive electrical needs.

Customization:

Customized Service for LINKUN Car Fuse

Brand Name: LINKUN
Model Number: SBFC-CT
Place of Origin: China
Metal: Zinc Alloy
Rated Voltage: 32V DC
Voltage Rating: 32 Volts
Terminal Type: Blade
Usage: Automotive

Introducing our customized Car Fuse - the perfect solution for all your automotive needs. Made with high-quality Zinc Alloy material, our fuse is durable and long-lasting. With a rated voltage of 32V DC and a voltage rating of 32 Volts, our fuse is designed to provide reliable protection for your vehicles.

Our Car Fuse is available in the model number SBFC-CT and is proudly made in China. It features a blade terminal type, making it easy to install and use. Our fuse comes in various sizes ranging from 1A to 40A and is designed to fit blade mounting systems, ensuring a secure fit for your vehicle.

One of the key features of our Car Fuse is its ATT 32V DC 30 Amp Low Profile Micro Mini Blade Plug In. This unique design allows for easy installation and replacement, making it convenient for you to use. Made with PC and PA material, our fuse is highly resistant to heat and corrosion, ensuring optimal performance even in extreme conditions.

For added convenience, our Car Fuse comes in a range of 5A to 15A Automotive Micro Fuses Plug In with 3 Terminal Tiny Blade Legs. This allows for a customizable selection to fit your specific automotive needs. Whether it's for your car, truck, or any other vehicle, our fuse is the perfect choice for all your automotive electrical protection needs.

Choose our LINKUN Car Fuse for a reliable and efficient solution to keep your vehicle's electrical system running smoothly. Trust us to provide you with the best quality products and excellent customer service. Contact us now to customize your order and experience the LINKUN difference.

Packing and Shipping:

Car Fuse Packaging and Shipping

Packaging:

The Car Fuse is packaged in a sturdy cardboard box to ensure safe transportation and storage. The box is designed to protect the fuse from any external damages during shipping.

Inside the box, the fuse is wrapped in a plastic bag to prevent any moisture or dust from entering. The packaging also includes a user manual for installation instructions and safety precautions.

We take great care in packaging our products to ensure they reach our customers in perfect condition.

Shipping:

Once the order is confirmed, we will process and ship your Car Fuse within 1-3 business days.

We offer free standard shipping within the United States and international shipping is available at an additional cost. The estimated delivery time for standard shipping is 3-7 business days.

For faster delivery, we also offer expedited shipping at an additional cost. The estimated delivery time for expedited shipping is 1-3 business days.

All orders are shipped with a tracking number so you can easily track your package's delivery status.

If you have any questions or concerns regarding your order, please feel free to contact our customer service team for assistance.

Thank you for choosing our Car Fuse. We hope it provides you with reliable and long-lasting protection for your vehicle.

FAQ:

Q: What is the brand name of this product?

A: The brand name of this product is LINKUN.

Q: What is the model number of this product?

A: The model number of this product is SBFC-CT.

Q: Where is this product made?

A: This product is made in China.

Q: What is the function of a car fuse?

A: A car fuse is used to protect the electrical system of a vehicle by breaking the circuit when there is an overload or short circuit.

Q: How do I know if my car fuse is blown?

A: You can check if the metal strip inside the fuse is broken. If it is, then the fuse is blown and needs to be replaced.



Dongguan Linkun Electronic Technology Co., Ltd.



13423305709



huangju@lk-ptc.com



lk-thermistor.com

Room 101, No. 21, Huayuanzai Road, Chongmei, Chashan Town, Dongguan City, Guangdong Province