



3*8mm 125V 250V AC Miniature Cartridge Fuse Time Lag 100mA-10A Micro Pico Fuse

Our Product Introduction

for more products please visit us on lk-thermistor.com

Basic Information

- Place of Origin: China DongGuang
- Brand Name: LinKun
- Certification: UL ROHS CCC CUL VDE
- Model Number: 212 Series
- Minimum Order Quantity: 5000PCS
- Price: Negotiation
- Packaging Details: Tape/Reel
- Delivery Time: 5-7 days
- Payment Terms: L/C, D/A, D/P, T/T, Western Union
- Supply Ability: 100,000 pieces/month

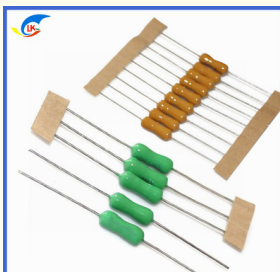


Product Specification

- Product Name: Resistor Micro Pico Fuse
- Rated Current: 100mA~10A
- Rated Voltage: 125V 250V
- Type: Time-Lag(T)
- Shape: Resistor
- Leads: Axial
- Breaking Capacity: 50A @ 250V AC
- Size: 3x8mm
- Operating Temperature: -55°C To +125°C
- Packing: Tape/Reel
- High Light: 125V Miniature Cartridge Fuse, Micro Pico Miniature Cartridge Fuse, 10A Micro Pico Fuse



More Images



Product Description

Product Description:

Axial Lead 3x8mm Resistor Type Fast Quick Blow Fast-acting Micro Cartridge Pico Fuse

Series:2mm Fuses

keyword:No.211/2*7mm fast-acting pico fuse

Time-current features:Fast-Acting(F)

Breaking Capacity: 535A@150/250VAC,50A@150/250VAC

Standard:UL248-14

Approvals: cURus, TUV

Materials:shell-ceramic tube, metal cap-nickel-plated brass, lead cap-nickel-plated cap, tin-plated copper wire

Operating Temperature:-55°C to +150°C

Soldering Parameters:260°C.≤10 sec (Wave Soldering),350°C.≤2 sec (Hand Soldering)

Soldering Peak:260°C. 10 sec.,280°C. 5 sec.

Storage Conditions:+10°C to +60°C

Relative humidity:≤75% yearly average Without dew, maximum 30 days at 95%

Application of Fast Acting Micro Pico Fuse

Mainly used in emergency lights, battery protection, LED drive power, adapters, LCD displays, low-power medical equipment

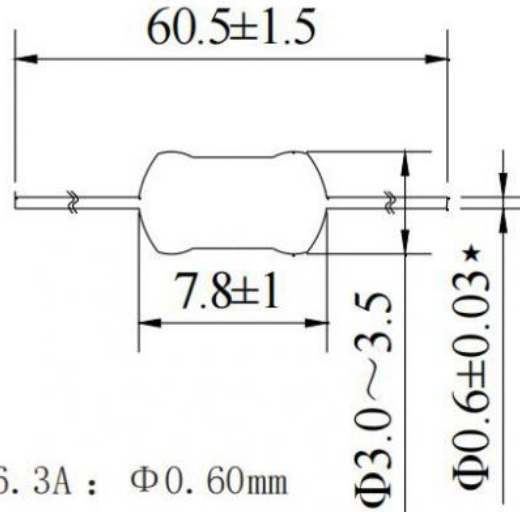
Time vs Current Characteristics: UL248-14	
Rated Current	100% 200%
200mA~16A	>4h <60s

Electrical Characteristics at 25°C									
Amp code	Rated Current	Rated Voltage	Typical Cold Resistance (mΩ)	Nominal Melting I ² t(A ² sec)	Breaking Capacity	Approvals			
						cULus	cURus	TUV	PS E
0200	200mA	125V AC 250V AC	990	0.077	50A@250V AC	●	○	○	○
0250	250mA		680	0.082		●	○	●	○
0315	315mA		369	0.190		●	○	●	○
0375	375mA		340	0.200		●	○	○	○
0400	400mA		270	0.210		●	○	●	○
0500	500mA		201	0.480		●	○	●	○
0630	630mA		160	0.930		●	○	●	○
0750	750mA		87.0	0.093		●	○	○	○
0800	800mA		62.0	0.564		●	○	●	○
1100	1.00A		60.0	0.531		●	○	●	○
1125	1.25A		44.3	1.03	●	○	●	○	
1150	1.50A		33.1	1.60	●	○	○	○	
1160	1.60A		37.84	0.85	●	○	●	○	
1200	2.00A		30.3	2.40	●	○	●	○	
1250	2.50A		20.5	5.83	●	○	●	○	
1300	3.00A		19.0	5.90	○	○	○	●	
1315	3.15A		17.0	5.90	○	●	●	○	
1400	4.00A		13.5	4.70	○	○	●	○	
1500	5.00A		10.0	8.30	○	●	○	●	
1630	6.30A		9.00	12.3	○	○	○	○	
1700	7.00A	5.88	16.6	○	●	○	○		
1800	8.00A	5.88	21.0	○	●	○	○		
2100	10.00A	5.05	41.0	○	●	○	○		
2120	12.00A	3.50	78.32	○	●	○	○		
2150	15.00A	3.01	249.6	○	○	○	○		
		32V AC 16V AC			50A@32V AC 100A@16V				

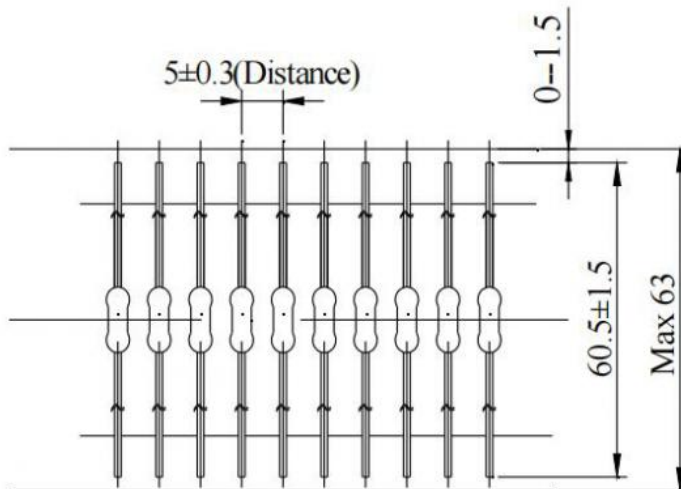
2160	16.00A	2.85	169.49	AC	○	●	○	○
------	--------	------	--------	----	---	---	---	---

Note: (1) Permissible continuous operating current is 100% at ambient temperature of 23°C (73.4°F)
(2) The cURus and cULus certification for 100mA~10A only by 125V and 250V AC, for 12A~16A only by 16V and 32V AC; the TUV certification only by 250V AC.
(3) The current values used for calculating I²T should be within the standard range of 8ms ~ 10ms.

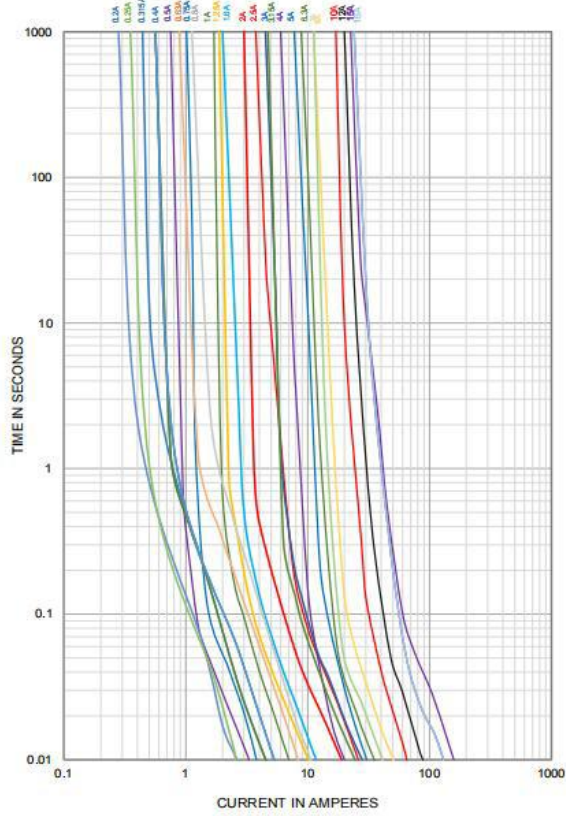
Dimensions (unit: mm)



★:
100mA~6.3A : Φ0.60mm
8.0A~20.0A : Φ0.80mm



Average Current Curve(I-T Curve)



CURRENT FUSE



3.6x10



5x20



6x30



6x40 5KV



AGC



AGU



RY



Y20



Y Series 1



Y Series 2



F00240C



RH 1



Y30



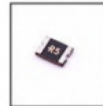
RH 2



SMD 1



SMD 2



PPTC 1



PPTC 2



PPTC 3



PPTC 4



PPTC 5



PICO Fuse



MF 1



MF 2

FUSE LINK AND FUSE BASE



Dongguan Linkun Electronic Technology Co., Ltd.



13423305709



huangju@lk-ptc.com



lk-thermistor.com

Room 101, No. 21, Huayuanzai Road, Chongmei, Chashan Town, Dongguan City, Guangdong Province