

PTC thermistor for motor starting



- Chip type
- Shell type

PTC thermistor for starting

Product Description

Use

- ◆ Auxiliary starting of compressors such as refrigerators, air conditioners and heat pumps
- ◆ Auxiliary starting of single-phase induction motors
- ◆ Inrush current suppression of switching power supplies, inverters, inverter air conditioner main control boards, micromotor controllers, etc.

Features

- ◆ Reliable metal electrode: Ni (chemical plating or sputtering) + Ag (screen printing)
- ◆ Sturdy electrode suitable for pressure clamping installation to ensure long life
- ◆ No electrical noise, easy to install
- ◆ Select chip size and Curie point to provide the best impact current and action time for startup
- ◆ High voltage and impact current resistance
- ◆ Safety approval: UL&CUL, VDE, CQC
- ◆ Compliant with RoHS directive

Dongguan Linkun Electronic Technology Co., Ltd.

Model and parameters

Chip type (MZ9 series)

Product Model	25°C Zero Power Resistance	Max voltage	Max current	Destruction voltage	Curie temperature	Diameter x thickness
	R25(Ω)	Vmax(V)	I _{max} (A)	VBD(V)	T _c (°C)	(mm)
MZ9-3R3□X3S1625	3.3	160	12	320	135	16x2.5
MZ9-3R9□X3S1625	3.9	180	12	360		
MZ9-4R7□X3S1625	4.7	180	12	420		
MZ9-5R0□X0S1625	5	200	12	480	105	
MZ9-5R5□X2S1625	5.5	200	12	450	120	
MZ9-6R8□X0S1625	6.8	200	10	480	105	
MZ9-6R8□X3S1625	6.8	200	10	450	135	
MZ9-10R□X0S1625	10	200	10	500	105	
MZ9-10R□X3S1625	10	200	8	500	135	
MZ9-15R□X3S1625	15	350	8	700	135	
MZ9-22R□X3S1625	22	350	8	700		
MZ9-33R□X3S1625	33	355	6	720		
MZ9-47R□X3S1625	47	400	5	720		
MZ9-68R□X3S1625	68	450	4	800		
MZ9-5R0□X2S1725	5	200	12	450	120	
MZ9-6R8□X2S1725	6.8	200	10	500		
MZ9-10R□X2S1725	10	200	10	550		
MZ9-20R□X2S1725	20	320	8	650		
MZ9-3R3□X2S2025	3.3	160	12	350	135 or 120	20x2.5
MZ9-3R9□X2S2025	3.9	180	12	400		
MZ9-4R7□X3S2025	4.7	180	12	420		
MZ9-5R6□X3S2025	5.6	180	12	450		
MZ9-6R8□X3S2025	6.8	200	10	500		
MZ9-10R□X3S2025	10	230	9	550		
MZ9-12R□X3S2025	12	250	8.5	600		
MZ9-15R□X3S2025	15	350	8	700		
MZ9-22R□X3S2025	22	350	8	720		
MZ9-33R□X3S2025	33	355	6	750		
MZ9-47R□X3S2025	47	400	5	800		

Dongguan Linkun Electronic Technology Co., Ltd.

MZ9-68R□X3S2025	68	450	5	860		
MZ9-3R9□X2S2032	3.9	180	16	350	120	20x3.2
MZ9-12R□X2S2032	12	350	8	700		
MZ9-15R□X2S2032	15	350	8	750		
MZ9-30R□X2S2032	30	450	7	800		
MZ9-33R□X2S2032	33	385	8	750		
MZ9-40R□X2S2032	40	450	8	800		
MZ9-25R□X2S2050	25	400	9	800	120	20x5.0
MZ9-38R□X2S2050	38	400	9	800		
MZ9-50R□X2S2050	50	410	8	800		
MZ9-75R□X2S2050	75	410	6	800		

Notes:

1. □ represents the deviation range of R25 M: ±20% X: ±25% N: ±30% S: Special

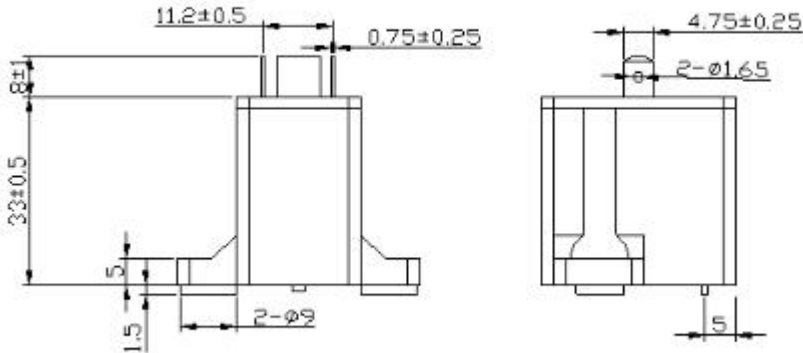
2. Other specifications or parameters can be customized

LINKUN

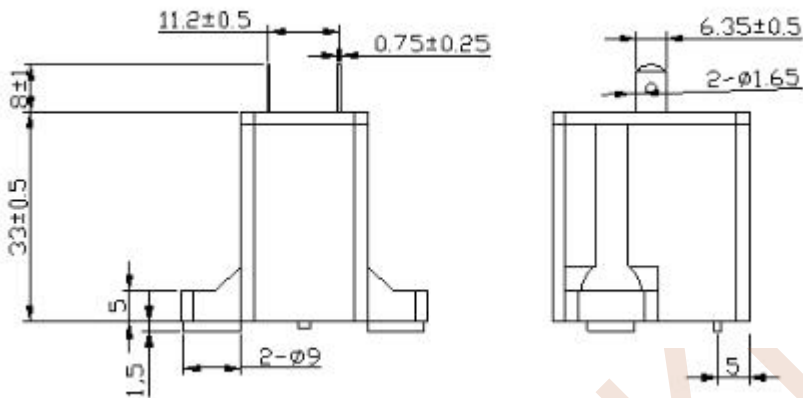
Shell type (MZ92D series)

•Structure and size

Type A shell structure



Type B shell structure



Model and parameters

Product Model	25°C Zero Power Resistance	Max voltage (Vmax)	Max current (Imax)	Power consumption (P)
	(Ω)	(Vac)	(A)	(W)
MZ92D-3R9□	3.9	160	12	4.0
MZ92D-4R7□	4.7	180	12	3.5
MZ92D-5R0□	5.0	180	12	3.5
MZ92D-6R8□	6.8	200	15	3.5
MZ92D-10R□	10	200	15	3.5
MZ92D-15R□	15	350	12	3.2
MZ92D-22R□	22	350	15	3.2

Dongguan Linkun Electronic Technology Co., Ltd.

MZ92D-25R□	25	400	12	3.2
MZ92D-30R□	30	450	12	3.2
MZ92D-33R□	33	450	12	3.2
MZ92D-38R□	38	450	12	3.2
MZ92D-40R□	40	450	10	3.2
MZ92D-47R□	47	450	12	3.2
MZ92D-50R□	50	500	10	3.2
MZ92D-68R□	68	500	9	3.2
MZ92D-101R□	100	500	9	3.2

Notes:

1. □ represents the deviation range of R25 M: $\pm 20\%$ X: $\pm 25\%$ N: $\pm 30\%$ S: Special
2. Other specifications or parameters can be customized
3. Power consumption parameters are tested under Vmax conditions

LINKUN



Product Description

Applications

- ◆ Auxiliary starting of compressors such as refrigerators, air conditioners and heat pumps
- ◆ Auxiliary starting of single-phase induction motors
- ◆ Inrush current suppression for switching power supplies, inverters, inverter air conditioner main control boards, micromotor controllers, etc.

Features

- ◆ Reliable metal electrodes: Ni (chemical plating or sputtering) + Ag (screen printing)
- ◆ Sturdy electrodes are suitable for pressure clamping installation to ensure long life
- ◆ No electrical noise, easy to install
- ◆ Select chip size and Curie point to provide the best inrush current and action time for starting
- ◆ High voltage and inrush current resistance
- ◆ Safety approval: UL&CUL, VDE, CQC
- ◆ Compliant with RoHS directive

Dongguan Linkun Electronic Technology Co., Ltd.

Models and parameters

Chip type (MZ9 series)

Product Model	25°C Zero Power Resistance	Max voltage	Max current	Destruction voltage	Curie temperature	Diameter x thickness
	R25(Ω)	Vmax(V)	I _{max} (A)	VBD(V)	T _c (°C)	(mm)
MZ9-3R3□X3S1625	3.3	160	12	320	135	16x2.5
MZ9-3R9□X3S1625	3.9	180	12	360		
MZ9-4R7□X3S1625	4.7	180	12	420		
MZ9-5R0□X0S1625	5	200	12	480	105	
MZ9-5R5□X2S1625	5.5	200	12	450	120	
MZ9-6R8□X0S1625	6.8	200	10	480	105	
MZ9-6R8□X3S1625	6.8	200	10	450	135	
MZ9-10R□X0S1625	10	200	10	500	105	
MZ9-10R□X3S1625	10	200	8	500	135	
MZ9-15R□X3S1625	15	350	8	700	135	
MZ9-22R□X3S1625	22	350	8	700		
MZ9-33R□X3S1625	33	355	6	720		
MZ9-47R□X3S1625	47	400	5	720		
MZ9-68R□X3S1625	68	450	4	800		
MZ9-5R0□X2S1725	5	200	12	450	120	
MZ9-6R8□X2S1725	6.8	200	10	500		
MZ9-10R□X2S1725	10	200	10	550		
MZ9-20R□X2S1725	20	320	8	650		
MZ9-3R3□X2S2025	3.3	160	12	350	135 or 120	20x2.5
MZ9-3R9□X2S2025	3.9	180	12	400		
MZ9-4R7□X3S2025	4.7	180	12	420		
MZ9-5R6□X3S2025	5.6	180	12	450		
MZ9-6R8□X3S2025	6.8	200	10	500		
MZ9-10R□X3S2025	10	230	9	550		
MZ9-12R□X3S2025	12	250	8.5	600		
MZ9-15R□X3S2025	15	350	8	700		
MZ9-22R□X3S2025	22	350	8	720		
MZ9-33R□X3S2025	33	355	6	750		
MZ9-47R□X3S2025	47	400	5	800		

Dongguan Linkun Electronic Technology Co., Ltd.

MZ9-68R□X3S2025	68	450	5	860		
MZ9-3R9□X2S2032	3.9	180	16	350	120	20x3.2
MZ9-12R□X2S2032	12	350	8	700		
MZ9-15R□X2S2032	15	350	8	750		
MZ9-30R□X2S2032	30	450	7	800		
MZ9-33R□X2S2032	33	385	8	750		
MZ9-40R□X2S2032	40	450	8	800		
MZ9-25R□X2S2050	25	400	9	800	120	20x5.0
MZ9-38R□X2S2050	38	400	9	800		
MZ9-50R□X2S2050	50	410	8	800		
MZ9-75R□X2S2050	75	410	6	800		

Notes:

1. □ represents the deviation range of R25 M: ±20% X: ±25% N: ±30% S: Special

2. Other specifications or parameters can be customized

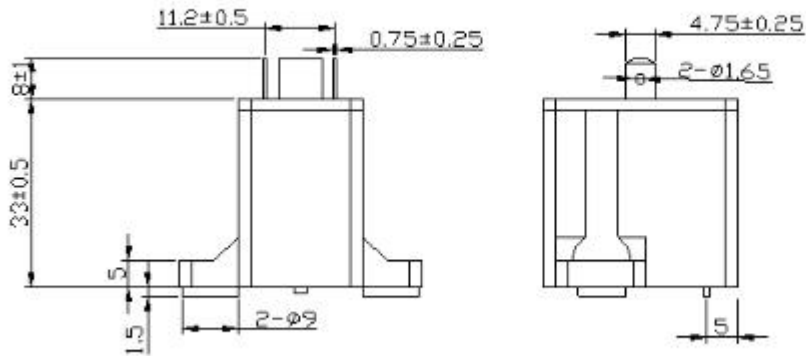
LINKUN

Dongguan Linkun Electronic Technology Co., Ltd.

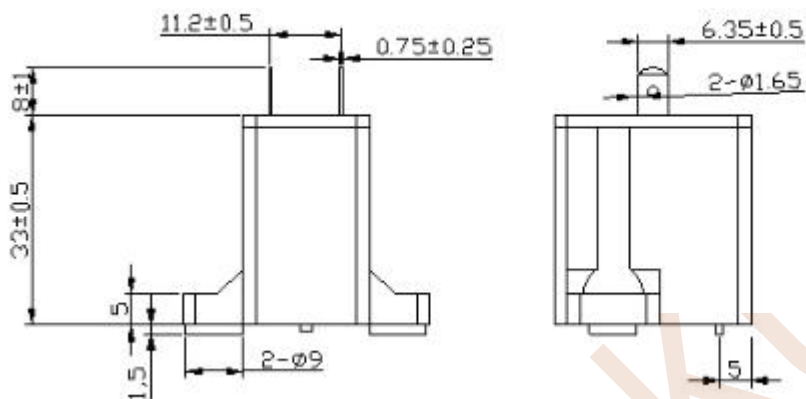
Shell type (MZ92D series)

•Structure and dimensions

Type A shell structure



Type B shell structure



Model and parameters

Product Model	25°C Zero Power Resistance (R25)	Max voltage (Vmax)	Max current (Imax)	Power consumption (P)
	(Ω)	(Vac)	(A)	(W)
MZ92D-3R9□	3.9	160	12	4.0
MZ92D-4R7□	4.7	180	12	3.5
MZ92D-5R0□	5.0	180	12	3.5
MZ92D-6R8□	6.8	200	15	3.5
MZ92D-10R□	10	200	15	3.5
MZ92D-15R□	15	350	12	3.2

Dongguan Linkun Electronic Technology Co., Ltd.

MZ92D-22R□	22	350	15	3.2
MZ92D-25R□	25	400	12	3.2
MZ92D-30R□	30	450	12	3.2
MZ92D-33R□	33	450	12	3.2
MZ92D-38R□	38	450	12	3.2
MZ92D-40R□	40	450	10	3.2
MZ92D-47R□	47	450	12	3.2
MZ92D-50R□	50	500	10	3.2
MZ92D-68R□	68	500	9	3.2
MZ92D-101R□	100	500	9	3.2

Notes:

1. □ represents the deviation range of R25 M: $\pm 20\%$ X: $\pm 25\%$ N: $\pm 30\%$ S: Special
2. Other specifications or parameters can be customized
3. Power consumption parameters are tested under Vmax conditions

LINKUN